

Pioneer of Rubber Crawler Carriers



MOROOKA

**360°
Rotation**

**4t
Payload**



NEW RELEASE

MST-700VDR

360° Rotation "KURU-KURU" Carrier Series

- Maximum Payload : 4 tons
- Electric Joystick Control
- No DEF Maintenance
- ROPS/FOPS Certified Structure
- Anti-stall Function

**KUBOTA V3307 Engine,
Tier 4 Final / EU Stage V**

Greatly reduces emissions of PM
(particulate matter) and NOx (nitrogen oxides),
Contribute to environmental protection.

*"KURU-KURU" means upper structure rotating 360 degrees.

MST@700VDR

High Maintainability



No DEF maintenance & Eco-Friendly Engine

High maintainability and reduced running cost.

Wide Open Covers

Easy access for daily maintenance.

Comfort Cab & Anti-stall Function

New Electric Joystick Control

Joystick provides intuitive operation and reduction of operator fatigue when traveling. It can be controlled Hi/Lo speed, spin turn, slow travel mode, and horn on lever.

2.5 inches LCD Monitor

Information is displayed on monitor. Clear layout of each button and indicator.

Anti-stall Function

Prevents the engine stall under high load operation, such as rotation and climbing with load.

MOROOKA "KURU-KURU" carrier series Payload 4 tons carrier!!

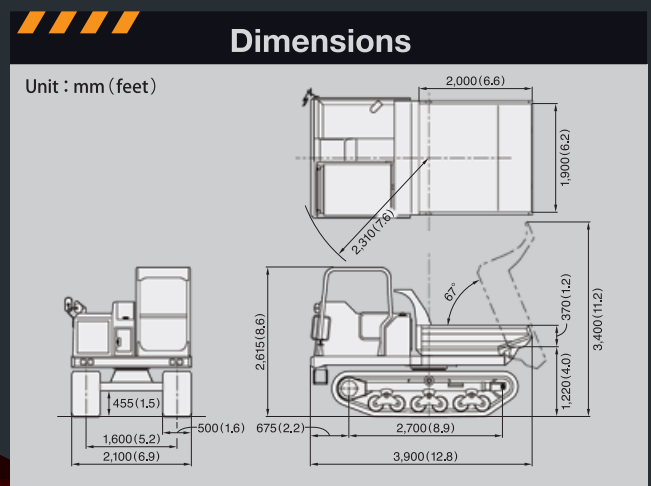


Multiple Functions for Safety

- ROPS·FOPS
- Safety bar
- Alarm buzzer
- Beacon light
- Swing position lamp
- Parking brake
- Swing lock switch
- Forward drive even after rotating 180°

Specifications		MST-700VDR
Model		MST-700VDR
Machine Weight	kg	4,930
Maximum Payload	kg	4,000
Engine Model		KUBOTA V3307
Nominal Output	kW/rpm	52.5 / 2,600
Overall Length	mm	3,900
Overall Width	mm	2,100
Overall Height	mm	2,615
Dump Body Dimension (L×W×H)	mm	2,000 × 1,900 × 370
Ground Clearance	mm	455
Swing Radius	mm	2,310
Crawler Width	mm	500
Drive System		HST
Travel Speed Hi/Lo	km/h	10.8 / 7.6
Ground Pressure (Empty)	kPa	25.9
Fuel Tank Capacity	liter	105

● Specifications are subject to modify without notice



MOROOKA

Morooka Co., Ltd.

To open a new frontier where no path has ever existed



Postal Code : 301-0031

358 Shoubeeshindenmachi, Ryugasaki city, Ibaraki Prefecture, Japan

TEL : +81-297-66-2111 FAX : +81-297-66-3110

TEL : (Overseas Sales Dept.) : +81-297-86-9034

URL : www.morooka.com (English)

www.morooka.co.jp (Japanese)

CONTACT